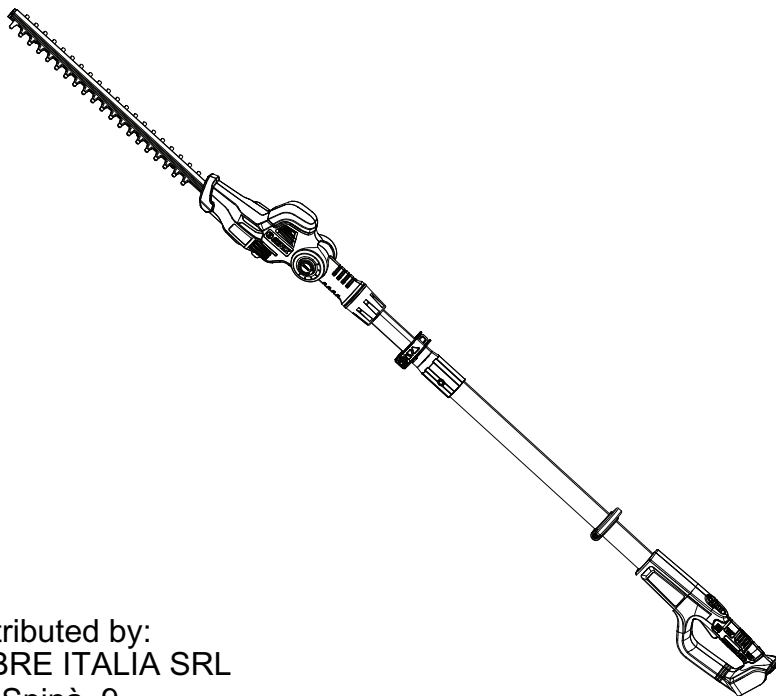


4SISON®

18V MAX LITHIUM-ION POLE HEDGE TRIMMER

Model: HTPX2-M-EU
HTPX2-M-EU-0

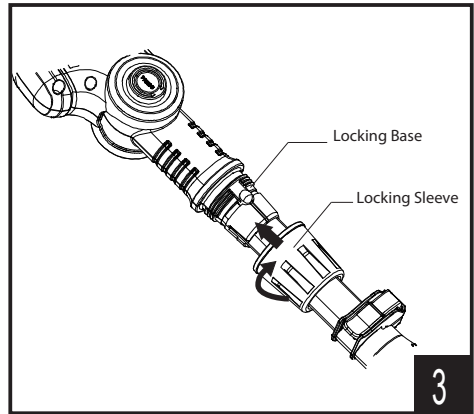
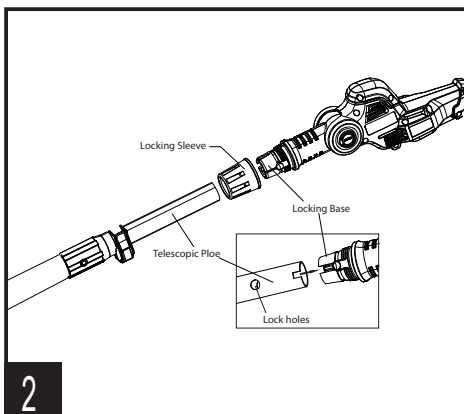
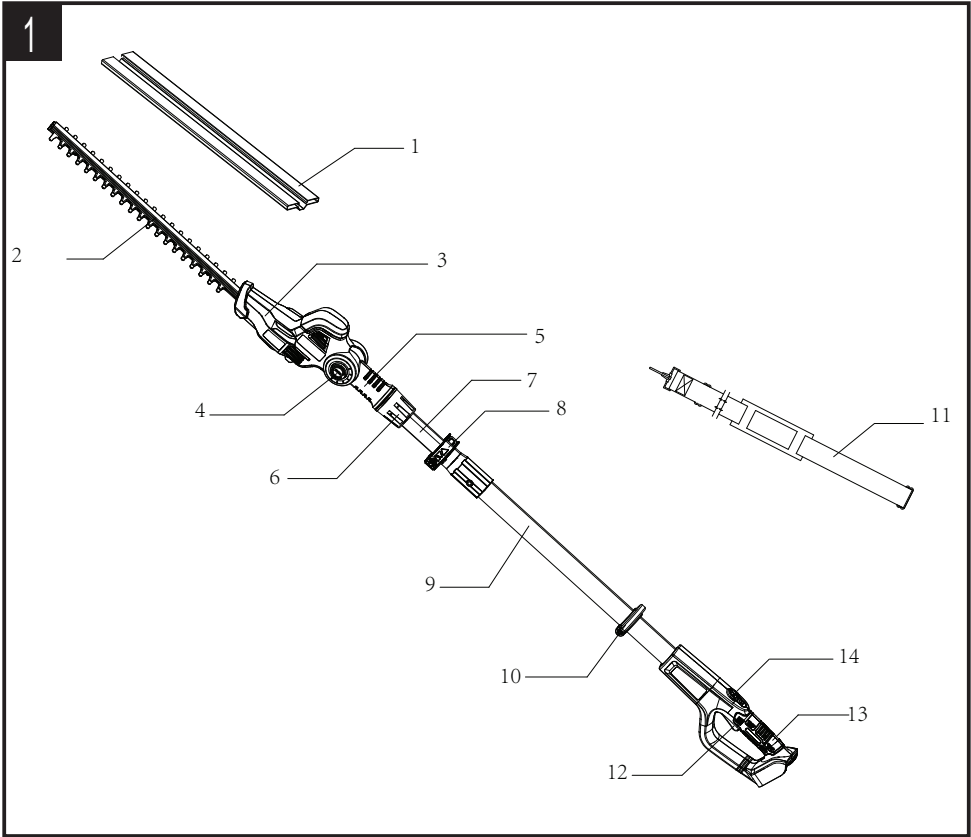


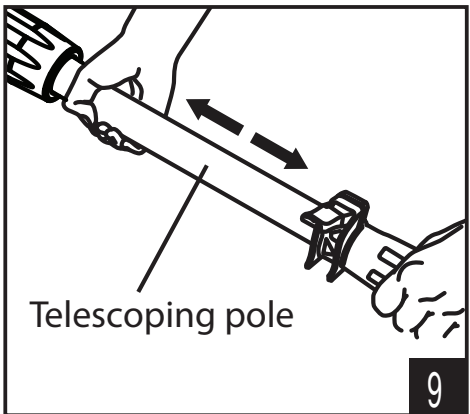
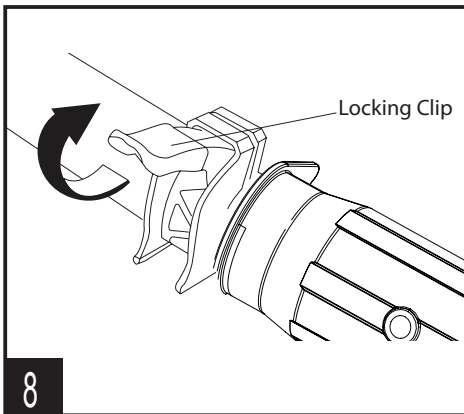
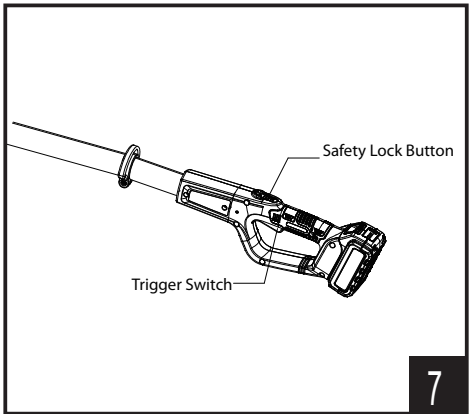
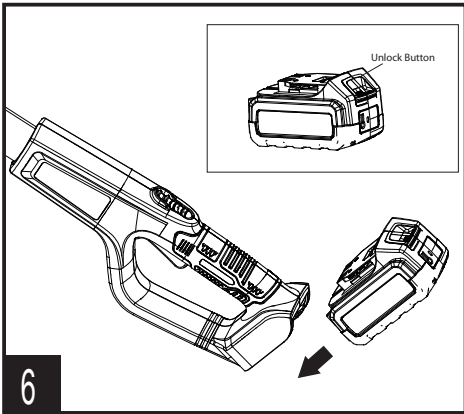
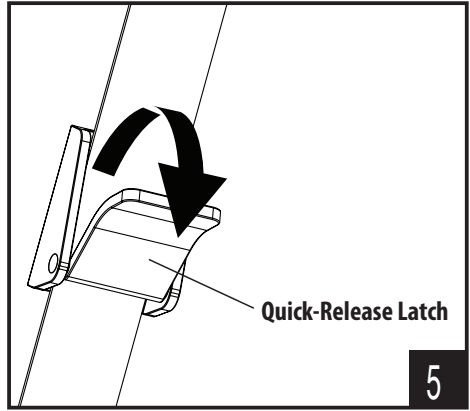
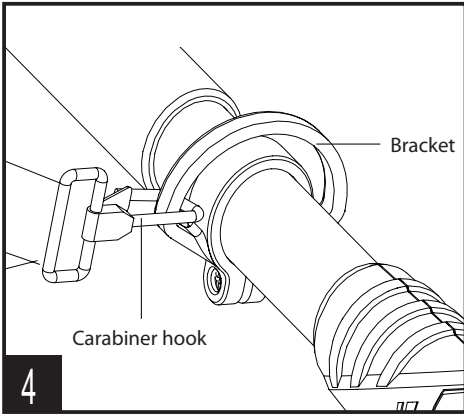
Distributed by:
SABRE ITALIA SRL
Via Spinà, 9
36033 Isola Vicentina (VI)
Tel. 0444 977655
email: info@sabreitalia.com
www.sabreitalia.com

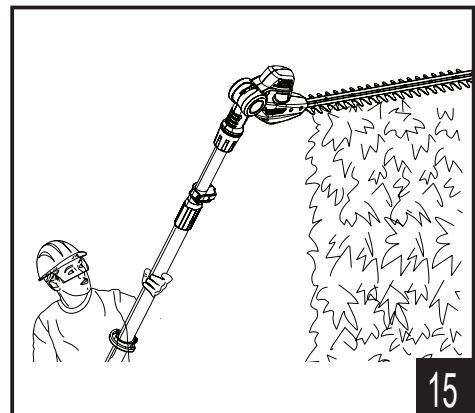
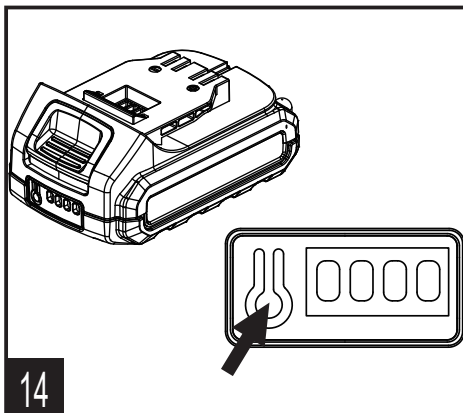
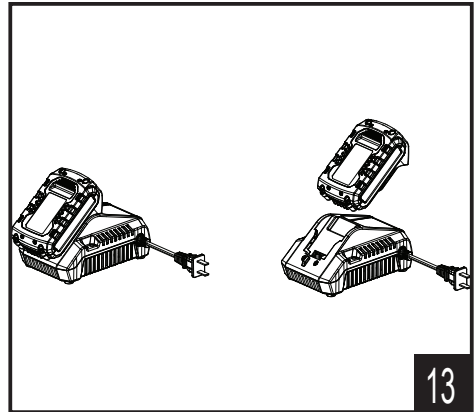
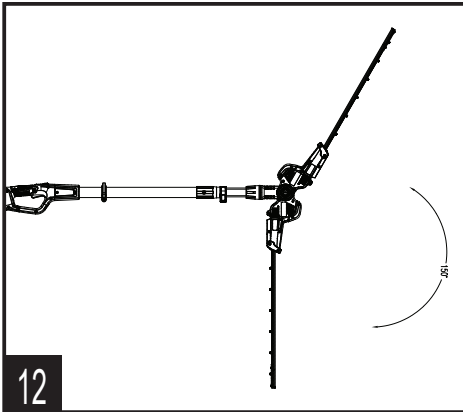
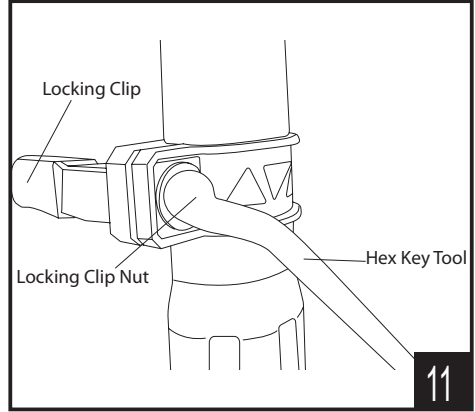
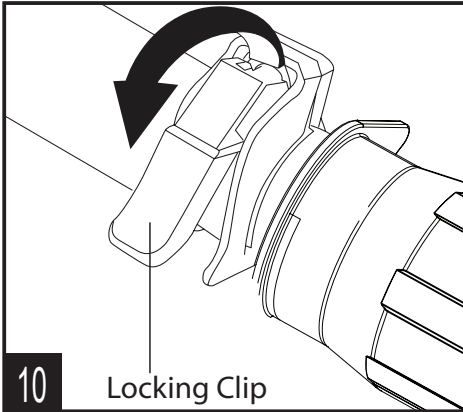

SABRE ITALIA
Attrezzati per natura

For customer service please find all information on www.senixtools.com
CAUTION: BEFORE USING THIS PRODUCT, READ THIS MANUAL AND
FOLLOW ALL ITS SAFETY RULES AND OPERATING INSTRUCTIONS.

ORIGINAL INSTRUCTIONS







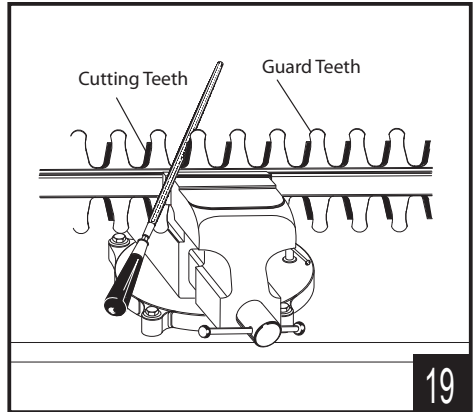
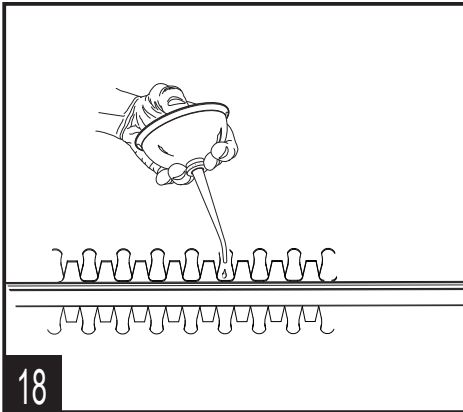
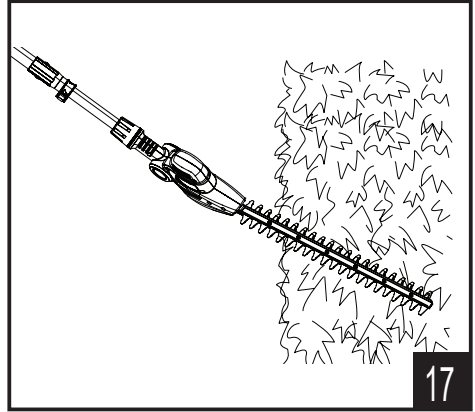
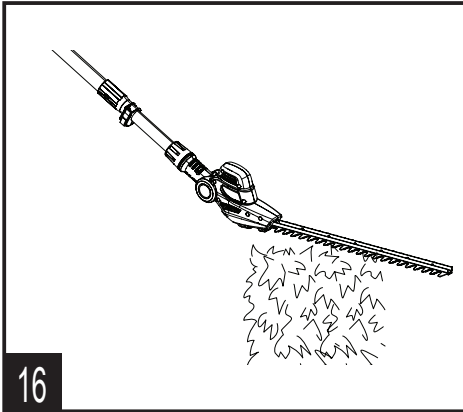


TABLE OF CONTENTS

SAFETY & INTERNATIONAL SYMBOLS	6
SAFETY INSTRUCTIONS	7
KNOW YOUR UNIT.....	15
SPECIFICATIONS*.....	15
ASSEMBLY.....	16
OPERATION.....	17
MAINTENANCE.....	19
TROUBLESHOOTING.....	20
PARTS.....	21
RECYCLING AND DISPOSAL.....	24

SAFETY & INTERNATIONAL SYMBOLS

Explanation of Safety & international symbols describes safety and international symbols and pictographs that may appear on this product. Read the operator's manual for complete safety, assembly, operating and maintenance and repair information.



This graphic accompanied by the words WARNING, DANGER OR CAUTION calls attention to an act of a condition which can lead to SERIOUS INJURY.



WARNING – To reduce the risk of injury, user must read instruction manual.



Wear eye protection.



Wear protective gloves.



Wear safety footwear.



Wear safety helmet.



DANGER – Keep hands away from blade.



Do not dispose of battery packs in rivers or immerse in water.



Do not disassemble, crush, heat above 100°C; Never expose the battery to microwaves or high pressures.



Use and store the battery within a temperature below 50°C.



Keep sufficient distance away from electrical power lines.



Keep 15 meters away from any other person.



Thrown objects can ricochet and result in personal injury or property damage.



Do not expose to rain.



This products meets the requirements of the relevant standards.



Guaranteed Sound power level 95 dB(A).



Crossed out dust bin. Batteries and battery packs should not be disposed of with household waste. Please recycle where facilities exist. Check with your Local Authority or local store for recycling advice.



WEEE symbol. Waste electrical products should not be disposed of with household waste. Please recycle where facilities exist. Check with your Local Authority or local store for recycling advice.

SAFETY INSTRUCTIONS

GENERAL POWER TOOL SAFETY WARNINGS



WARNING!

Read all safety warnings, instructions, illustrations and specifications provided with this product. Failure to follow all instructions listed below may result in electric shock, fire and/or serious injury.

Save all warnings and instructions for future reference.

The term “power tool” in the warnings refers to your mains-operated (corded) power tool or batteryoperated (cordless) power tool.

1) WORK AREA SAFETY

- a) Keep work area clean and well lit. Cluttered or dark areas invite accidents.
- b) Do not operate power tools in explosive atmospheres, such as in the presence of flammable liquids, gases or dust. Power tools create sparks which may ignite the dust or fumes.
- c) Keep children and bystanders away while operating a power tool. Distractions can cause you to lose control.

2) ELECTRICAL SAFETY

- a) Power tool plugs must match the outlet. Never modify the plug in any way. Do not use any adapter plugs with earthed (grounded) power tools. Unmodified plugs and matching outlets will reduce risk of electric shock.
- b) Avoid body contact with earthed or grounded surfaces, such as pipes, radiators, ranges and refrigerators. There is an increased risk of electric shock if your body is earthed or grounded.
- c) Do not expose power tools to rain or wet conditions. Water entering a power tool will increase the risk of electric shock.
- d) Do not abuse the cord. Never use the cord for carrying, pulling or unplugging the power tool. Keep cord away from heat, oil, sharp edges or moving parts. Damaged or entangled cords increase the risk of electric shock.
- e) When operating a power tool outdoors, use an extension cord suitable for outdoor use. Use of a cord suitable for outdoor use reduces the risk of electric shock.

f) If operating a power tool in a damp location is unavoidable, use a residual current device (RCD) protected supply. Use of an RCD reduces the risk of electric shock.

3) PERSONAL SAFETY

- a) Stay alert, watch what you are doing and use common sense when operating a power tool. Do not use a power tool while you are tired or under the influence of drugs, alcohol or medication. A moment of inattention while operating power tools may result in serious personal injury.
- b) Use personal protective equipment. Always wear eye protection. Protective equipment such as dust mask, non-skid safety shoes, hard hat, or hearing protection used for appropriate conditions will reduce personal injuries.
- c) Prevent unintentional starting. Ensure the switch is in the off-position before connecting to power source and/or battery pack, picking up or carrying the tool. Carrying power tools with your finger on the switch or energising power tools that have the switch on invites accidents.

- d) Remove any adjusting key or wrench before turning the power tool on. A wrench or a key left attached to a rotating part of the power tool may result in personal injury.
- e) Do not overreach. Keep proper footing and balance at all times. This enables better control of the power tool in unexpected situations.
- f) Dress properly. Do not wear loose clothing or jewellery. Keep your hair, clothing and gloves away from moving parts. Loose clothes, jewellery or long hair can be caught in moving parts.
- g) If devices are provided for the connection of dust extraction and collection facilities, ensure these are connected and properly used. Use of dust collection can reduce dust-related hazards.
- h) Do not let familiarity gained from frequent use of tools allow you to become complacent and ignore tool safety principles. A careless action can cause severe injury within a fraction of a second.

4) POWER TOOL USE AND CARE

- a) Do not force the power tool. Use the correct power tool for your application. The correct power

tool will do the job better and safer at the rate for which it was designed.

- b) Do not use the power tool if the switch does not turn it on and off. Any power tool that cannot be controlled with the switch is dangerous and must be repaired.
- c) Disconnect the plug from the power source and/or the battery pack from the power tool before making any adjustments, changing accessories, or storing power tools. Such preventive safety measures reduce the risk of starting the power tool accidentally.
- d) Store idle power tools out of the reach of children and do not allow persons unfamiliar with the power tool or these instructions to operate the power tool. Power tools are dangerous in the hands of untrained users.
- e) Maintain power tools. Check for misalignment or binding of moving parts, breakage of parts and any other condition that may affect the power tools operation. If damaged, have the power tool repaired before use. Many accidents are caused by poorly maintained power tools.
- f) Keep cutting tools sharp and

clean. Properly maintained cutting tools with sharp cutting edges are less likely to bind and are easier to control.

- g) Use the power tool, accessories and tool bits etc. in accordance with these instructions, taking into account the working conditions and the work to be performed. Use of the power tool for operations different from those intended could result in a hazardous situation.
- h) Keep handles and grasping surfaces dry, clean and free from oil and grease. Slippery handles and grasping surfaces do not allow for safe handling and control of the tool in unexpected situations.

5) BATTERY TOOL USE AND CARE

- a) Recharge only with the charger specified by the manufacturer. A charger that is suitable for one type of battery pack may create a risk of fire when used with another battery pack.
- b) Use power tools only with specifically designated battery packs. Use of any other battery packs may create a risk of injury and fire.

- c) When battery pack is not in use, keep it away from other metal objects, like paper clips, coins, keys, nails, screws or other small metal objects, that can make a connection from one terminal to another. Shorting the battery terminals together may cause burns or a fire.
- d) Under abusive conditions, liquid may be ejected from the battery; avoid contact. If contact accidentally occurs, flush with water. If liquid contacts eyes, additionally seek medical help. Liquid ejected from the battery may cause irritation or burns.
- e) Do not use a battery pack or tool that is damaged or modified. Damaged or modified batteries may exhibit unpredictable behaviour resulting in fire, explosion or risk of injury.
- f) Do not expose a battery pack or tool to fire or excessive temperature. Exposure to fire or temperature above 130 °C may cause explosion.
- g) Follow all charging instructions and do not charge the battery pack or tool outside the temperature range specified in the instructions. Charging improperly or at temperatures

outside the specified range may damage the battery and increase the risk of fire.

6) SERVICE

- a) Have your power tool serviced by a qualified repair person using only identical replacement parts. This will ensure that the safety of the power tool is maintained.
- b) Never service damaged battery packs. Service of battery packs should only be performed by the manufacturer or authorized service providers.

SAFETY INSTRUCTIONS FOR HEDGE TRIMMERS

- a) Keep all parts of the body away from the blade. Do not remove cut material or hold material to be cut when blades are moving. Blades continue to move after the switch is turned off. A moment of inattention while operating the hedge trimmer may result in serious personal injury.
- b) Carry the hedge trimmer by the handle with the blade stopped and taking care not to operate any power switch. Proper carrying of the hedge trimmer will decrease the risk of inadvertent starting and resultant personal

injury from the blades.

- c) When transporting or storing the hedge trimmer, always fit the blade cover. Proper handling of the hedge trimmer will decrease the risk of personal injury from the blades.
- d) When clearing jammed material or servicing the unit, make sure all power switches are off and the lock-off is in the locked position. Unexpected actuation of the hedge trimmer while clearing jammed material or servicing may result in serious personal injury.
- e) Hold the hedge trimmer by insulated gripping surfaces only, because the blade may contact hidden wiring. Blades contacting a “live” wire may make exposed metal parts of the hedge trimmer “live” and could give the operator an electric shock.
- f) Keep all power cords and cables away from cutting area. Power cords or cables may be hidden in hedges or bushes and can be accidentally cut by the blade.
- g) Do not use the hedge trimmer in bad weather conditions, especially when there is a risk of lightning. This decreases the risk of being struck by lightning.

ADDITIONAL SAFETY INSTRUCTIONS FOR EXTENDED-REACH HEDGE TRIMMERS

- a) To reduce the risk of electrocution, never use the extended-reach hedge trimmer near any electrical power lines. Contact with or use near power lines may cause serious injury or electric shock resulting in death.
- b) Always use two hands when operating the extended-reach hedge trimmer. Hold the extended-reach hedge trimmer with both hands to avoid loss of control.
- c) Always use head protection when operating the extended-reach hedge trimmer overhead. Falling debris can result in serious personal injury.

SAFETY WARNINGS FOR BATTERY PACK

- a) Do not attempt to recharge a on rechargeable battery pack.
- b) Do not disassemble or modify the battery pack. This can damage safety features.
- c) Do not connect the positive (+) and negative (-) terminals with metal objects or store the battery pack with metal objects such as

coins or screws. This can cause short-circuiting and generate enough heat to cause burns.

- d) Do not incinerate the battery pack or expose to excessive heat. This can melt insulation or damage safety features.
- e) Do not use, charge, or store near heat higher than 104°F (40°C). This can cause overheating and internal short-circuiting.
- f) Do not expose to extremely wet conditions. This can damage safety features, cause extremely high current and voltage charging, and lead to abnormal chemical reactions.
- g) Use only the charger specifically designed for the battery pack, and follow the safety precautions described in “Charger Safety”. Using another charger can damage safety features, cause extremely high current and voltage charging, and lead to abnormal chemical reactions.
- h) Do not strike, pierce, or throw the battery pack, and do not use a damaged or deformed battery pack.
- i) If recharging fails, do not attempt to recharge.
- j) If the battery pack gives off an odor, generates heat, or

is discolored, deformed, or abnormal in any way during use, recharging, or storage, immediately remove from the chainsaw or charger.

- k) Any liquid leaking from the battery is corrosive, can damage eyes and skin, and may be toxic if swallowed.
- l) Do not dispose of the battery pack in the household waste or fire. Lithium ion battery packs should be recycled by a local authorized recycler.

SAFETY WARNINGS FOR BATTERY CHARGER



Read all safety warnings and instructions before using the charger.



Only for indoor use!



Class II protection.

- a) This appliance can be used by children aged from 8 years and above and persons with reduced physical, sensory or mental capabilities or lack of experience and knowledge if they have been given supervision or instruction concerning use of the appliance in a safe way and understand the hazards involved. Children shall not play with the appliance.

Cleaning and user maintenance shall not be made by children without supervision.

- b) If the supply cord is damaged, it must be replaced by the manufacturer, its service agent or similarly qualified persons in order to avoid a hazard.
- c) Only charge the battery pack as specified in this instruction manual. Do not charge non-rechargeable batteries.
- d) Charge the product indoors only.
- e) Protect the charger against moisture and wet conditions. There is a danger of electric shock.
- f) Do not cover the battery charger. Otherwise, the battery charger can overheat and no longer operate properly.

INTENDED USE

This product is intended for outdoor use only, and must not be used inside a building under any circumstances. The cordless pole hedge trimmer is only intended for use in dry and well-illuminated conditions. This pole hedge trimmer is only intended to be used for cutting hedges, bushes and shrubs in domestic gardens. Do not use it for others purposes. Do not cut

branches exceeding the stated maximum capacity. Do not use it for others purposes.

EMERGENCY

Familiarize yourself with the use of this product by means of this instruction manual. Memorize the safety directions and follow them to the letter. This will help to prevent risks and hazards.

- a) Always be alert when using this product, so that you can recognize and handle risks early. Fast intervention can prevent serious injury and damage to property.
- b) Switch off the product and remove the battery pack if there are malfunctions. Have the product checked by a qualified professional and repaired, if necessary, before you operate it again.

RESIDUAL RISKS

- a) Fmiliarise yourself with the use of this product by means of this instruction manual. Memorise the safety directions and follow them to the letter. This will help to prevent risks and hazards. Always be alert when using this product, so that you can

recognise and handle risks early. Fast intervention can prevent serious injury and damage to property. Switch off and disconnect from the battery if there are malfunctions.

- b) Even if all instructions are strictly followed, there are still some factors that could lead to hazards, such as :
- Thrown out pieces of the work piece.
 - Vibration injuries : use designated handles and try to reduce working time and exposure.
 - Injuries caused by noise : wear ear protection and reduce working time and exposure.
 - Inhalation of dust and particles.
 - Wear eye protection at all times.
- If you experience any of these factors while using the machine, stop the machine consult your doctor immediately.
- c) Injuries may be caused or aggravated by prolonged use of a tool. When using any tool for prolonged periods, ensure you take regular breaks.
- d) Prolonged use of the product exposes the user to vibrations that can cause a range of conditions collectively known as hand-arm vibration syndrome

(HAVS) e.g. fingers going white; as well as specific diseases such as carpal tunnel syndrome.

- e) To reduce this risk when using the product, always wear protective gloves and keep your hands warm.
- f) Always ensure that all handles and guards are fitted when using the hedge trimmer. Never attempt to use an incomplete hedge trimmer or one fitted with an unauthorized modification.
- g) Always be aware of your surroundings and stay alert for possible hazards of which you might not be aware due to the noise of the hedge trimmer.

KNOW YOUR UNIT

APPLICATIONS

Model: HTPX2-M-EU

HTPX2-M-EU-0

As a pole hedge trimmer:

- Cutting hedges, bushes and shrubs in domestic gardens

1	Blade Cover
2	Blade
3	Cover
4	Pivot Button
5	Support
6	Locking Sleeve
7	Telescopic Pole
8	Telescopic Locking Clip
9	Pole
10	Bracket
11	Shoulder Strap
12	Trigger Switch
13	Handle
14	Safety Lock Button

SPECIFICATIONS*



NOTE:

HTPX2-M-EU-0 does not include the charger and the battery pack.

Model	HTPX2-M-EU
Input voltage	18V d.c.
No-load speed	2250min-1±10%
Cutting length	450mm
Cutting capacity	20mm
Sound pressure level	81dB(A),K=1.4dB(A)
Guaranteed sound power level	95dB(A) K=1.4dB(A)
Vibration level (K=1.5m/s ²)	Main handle=0.8m/s ² Front handle=0.7m/s ²
Weight without battery pack	3.2kg

Battery pack model for option	B20X2
Rated voltage	20V $\overline{=}$
Rated capacity	2.0Ah
Weight	Approx. 0.335kg
Battery pack model for option	B40X2
Rated voltage	20V
Rated capacity	4.0Ah
Weight	Approx. 0.65kg

Charger model for option	CHX2
Rated input	100-240V ~ 50/60Hz
Rated output	22.5±0.5V, 2±0.2A
Charging time (with 2.0 Ah battery)	75mins
Charging time (with 4.0 Ah battery)	140mins
Protection class	□ / II
Weight	Approx. 0.34kg
Charger model for option	CHQX2
Rated input	100-240V ~ 50/60Hz
Rated output	22±1V, 4±0.3A
Charging time (with 2.0 Ah battery)	35mins
Charging time (with 4.0 Ah battery)	70mins
Protection class	□ / II
Weight	Approx. 0.482kg

NOISE/VIBRATION INFORMATION

The declared vibration total value(s) and the declared noise emission value(s) have been measured in accordance with a standard test method and may be used for comparing one tool with another. They may also be used in a preliminary assessment of exposure.



WARNING:



The vibration and noise emissions during actual use of the power tool can differ from the declared values depending on the ways in which the tool is used especially what kind of workpiece is processed.



It is necessary to identify safety measures to protect the operator that are based on an estimation of exposure in the actual conditions

of use (taking account of all parts of the operating cycle such as the times when the tool is switched off and when it is running idle in addition to the trigger time).

Please try to minimize the exposure of vibration and noise. Typical measure for reducing exposure will be wearing of hand gloves and hearing protection during operation, limiting working time and applying accessories in good condition.

ASSEMBLY

1. Unpack all parts and lay them on a flat, stable surface:
2. Remove all packing materials and shipping devices, if applicable.
3. The scope of delivery varies depending on the country and purchased variant:
Model of HTPX2-M-EU
 - Pole Hedge Trimmer x1
 - Instruction manual x1
 - Blade Cover x1
 - Shoulder Strap x1
 - Battery pack x1
 - Charger x1
4. If you find that parts are missing or show damage do not use the product but contact your dealer. Using an incomplete or damaged product represents a hazard to people and property.
5. Ensure that you have all the accessories and tools needed for assembly and operation. This also includes suitable personal protective equipment.



NOTE:

HTPX2-M-EU-0 does not include the charger and the battery pack.



WARNING:



Wear protective gloves for this assembly work and always lay the product on a flat and stable surface while assembling.



Follow the assembly instructions step-by-step and use the pictures provided as a visual guide to easily assemble the product!

Do not insert the battery pack before the power tool is completely assembled or adjusted!

CONNECTING THE POLE AND THE TRIMMER HEAD



WARNING:

To avoid serious personal injury and damage to the unit, shut the unit off before removing or installing an attachment.

1. Align the telescopic pole with the trimmer head (Fig. 2).
2. Insert the telescopic pole to the locking base until the lock holes click into place. The grooves must be aligned with the arrow positions near the locking base.
3. Slide the locking sleeve to the locking base and rotate clockwise till fully tighten (Fig. 3).



NOTE:

Make sure the rear handle is properly aligned with the blade.

ATTACHING THE SHOULDER STRAP

1. Fasten the carabiner hook onto the bracket on the pole (Fig. 4).
2. Adjust the length of the strap to attain a comfortable working position.



NOTE:

In case of emergency, tug the quick-release latch on shoulder strap to release machine (Fig. 5).

INSTALLING/REMOVING THE BATTERY PACK



WARNING:

Using unsuitable batteries can lead to malfunctions or damage the machine.

Slide the battery pack into the slots of battery docking port. Make sure battery pack snaps in place. When you finish using trimmer, press the unlock button on the battery pack and slide out the battery (Fig. 6).

OPERATION



WARNING:

Always wear eye, hearing, hand, foot and body protection to reduce the risk of injury when operating this unit. Keep all parts of your body away from the rotating cutting attachment and hot surfaces.

WEARING THE SHOULDER STRAP



WARNING:

Turn off the unit and disconnect the battery pack before putting on the shoulder strap.

1. Enter your head and one arm through the shoulder strap according to your using habit. Take operation safety into account when choosing which arm to wear.
2. Make sure the shoulder strap fasten firmly on the bracket and is not liable to slip down during the operation.

SWITCHING ON/OFF



WARNING:

Ensure the blade does not touch any objects before turning on the pole hedge trimmer.

1. To turn the tool ON, push and hold the safety lock button with your thumb and then squeeze the trigger switch with your fingers. Once the tool is running, release the safety lock button.
2. To turn the tool OFF, release the trigger switch (Fig. 7).

ADJUSTING THE TELESCOPIC POLE



WARNING:

Failure to lock the telescopic pole as instructed may result in injury.

1. Turn off the unit and disconnect the battery pack from the trimmer.
2. Open the telescopic locking clip to release the pole (Fig. 8).
3. Extend the pole to the desired length (Fig. 9).
4. Lock the pole in position by closing the locking clip and ensure the pole is secure (Fig. 10).
5. If the pole moves whilst the telescopic locking clip is

closed, the nut on the locking clip may need tightening. Open the locking clip. Using the hex key tool, tighten the locking clip nut and then close the locking clip (Fig. 11).

ADJUSTING THE PIVOTING HEAD



WARNING:

Always ensure that it is locked into position before using.

1. Turn off the machine and disconnect the battery pack from the trimmer before making adjustments.
2. Place the pole trimmer on a sturdy flat surface.
3. The trimmer head can be adjusted to six positions. Press the pivot button and adjust the trimmer head to the desired angle (Fig. 12).
4. Ensure the trimmer head is locked in position when the button is released.

CHARGING THE BATTERY PACK



WARNING:





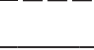
This Lithium-Ion battery pack is shipped partially charged. Fully charge the battery pack before using it for the first time.

1. Charge the Lithium-Ion battery pack only with the correct charger.
2. Connect the charger to a power supply, the light indicator of the charger turns red.
3. Align the raised ribs of the battery pack with the slot in the charger (Fig.13).
4. Insert the battery pack into the charger, the light indicator of the charger turns green and it flashes.
5. The charger will communicate with the battery pack to evaluate the condition of the battery pack.
6. It is fully charged that the four lights of the battery turn on. Disconnect the power supply from the charger. Remove battery pack from the charger.

CHARGING INDICATOR

Press the light button to check the battery pack whether needs to charge (Fig. 14) .

Lights			Status
Lighted	Off	Blinking	

	The battery is at full capacity.
	The battery is at 75% capacity.
	The battery is at 50% capacity and requires charging.
	The battery is at 25% capacity and requires charging soon.
	The battery is less than 5% capacity and requires charging immediately.



WARNING:

Malfunctions may occur when the four lights blinking in turns.

OVERHEAT PROTECTION

When the tool/battery is overheated, the tool stops automatically. In this situation, let the power tool/battery cool before turning the tool on again.

OVERDISCHARGE PROTECTION

When the battery capacity is not enough, the tool stops automatically. In this case, remove the battery from the tool and charge the battery.

USING THE POLE HEDGE TRIMMER

- Double check that the binding of accessories and attachments are properly fixed. Never use the product if any parts are in the unlocked position.
- We recommend the use of the shoulder strap at all times, to assist with distributing the weight of the machine.
- Inspect the area to be cut and remove any foreign objects that will influence your cutting. If the foreign objects can not be removed, e.g. wire fences, please mark and remember it to avoid toughing them during cutting.
- Run the machine to top speed before cutting.
- Keep your body and feet in safety distance to cutting head.
- Stand so that you are stable and balanced on both feet. This hedge trimmer is intended to be used by the operator at ground level and do not use on ladders or any other

unstable support.

- The unit is used for cutting in either direction in a slow, sweeping action from side to side.
 - Inspect and clear the area of any hidden objects.
 - To protect yourself from electrocution, do not operate within 33 feet (10m) of overhead electrical lines.
 - Never use the pole hedge trimmer near power lines, fencing, posts, buildings or other immovable objects.
 - Never use a blade after hitting a hard object without first inspecting it for damage. Do not use if any damage is found.
 - Ensure the air vents are always unobstructed and clear. Clean them if necessary with a soft brush. Blocked air vents may lead to overheating and damaged to the trimmer.
 - Do not overwork yourself. Take regular breaks to ensure you can concentrate on the work and have full control over the pole trimmer.
1. To use the pole hedge trimmer for trimming tall, hard to reach hedges or shrubs, hold the trimmer at the position shown below (Fig.15). Pivot the power head to several different positions to shape or sculpt shrubs or hedges.
 2. To use pole hedge trimmer for trimming the bottoms and sides of hedges and shrubs, hold the pole trimmer at the position shown below (Fig. 16).
 3. To use pole hedge trimmer for trimming low-lying foliage or ground cover, hold the pole hedge trimmer at the position as shown below (Fig. 17).
- Do not force the pole hedge trimmer through dense growth. A slight back and forth sawing action may ease the cutting of larger, more dense growth. If the pole hedge trimmer begins to slow down, reduce the rate of speed at which you are trying to cut. If the pole hedge trimmer becomes jammed, immediately turn the trimmer off. Disconnect the battery pack and clear the jammed debris from the blades.

CUTTING TIPS



WARNING:

Always hold the pole hedge trimmer firmly with both hands. Never hold shrubs with one hand and operate pole hedge trimmer with another. Failure to follow this warning can result in serious injury.



WARNING:

Clear the area to be cut before each use. Remove all objects such as cables, lights, wire, or loose strings which can be entangled in the cutting blade and create a risk of serious injury.

- When operating the pole trimmer with an extension lead, keep the extension lead behind the pole trimmer. Never

drape it over the hedge being trimmed.

- Do not force the pole hedge trimmer through heavy shrubbery. This can cause the blades to bind and slow down. If the blades slow down, reduce the pace.
- Do not attempt to cut stems or twigs that are larger than 1/2 inch thick or those obviously too large to feed into the cutting blade. Use a hand saw or pruning saw to trim large stems.
- If blades do become jammed, stop the motor, allow the blades to stop and disconnect the battery pack before attempting to remove the obstruction.
- Wear gloves when trimming thorny or prickly growth. When trimming new growth, use a wide sweeping action, so that the stems are fed directly into the cutting blade. Older growth will have thicker stems and will be trimmed easiest by using a sawing movement.

MAINTENANCE



WARNING:

Remove and pull out the battery pack before maintenance!

Wear protective gloves and clothing! Maintain this product regularly and carefully! If the product is improperly maintained, it may fail at its intended task, which may produce fatal consequences.

1. Keep the product clean. Remove debris from it after each use and before storage.
2. Regular and proper cleaning will help ensure safe use and prolong the life of the product.
3. Inspect the product before each use for worn and damaged parts. Do not operate it if you find broken and worn parts.



WARNING:

Only perform repairs and maintenance work according to these instructions! All further works must be performed by a qualified specialist!

MAINTENANCE OF BATTERY PACK

1. If the battery is empty and the product is switched off automatically, do not continue to press the switch trigger.
2. Charging the battery only after the battery pack is cooled down.
3. Charging the battery completely if the product will not be used for long time.
4. Charging the battery at least every 6 months to maintain the optimal capacity.

LUBRICATING THE BLADE



WARNING:

Always allow the blades of the pole hedge trimmer to come to a stop and remove and pull out the battery pack before lubricating. Failure to do so could result in accidental starting causing possible serious personal injury.

For easier operation and longer blade life, lubricate the trimmer blade before and after each use. If you will be using the pole hedge trimmer for an extended time, it is advisable to oil the blade periodically.

1. Stop the pole hedge trimmer.
2. Remove and pull out the battery pack from the product.
3. Lay the pole hedge trimmer on a flat surface and apply light weight machine oil along the edge of the top blade (Fig. 18).

SHARPENING THE BLADE

Allow the blades of the pole hedge trimmer to come to a stop in the position shown. This will allow clearance for the file between the cutter teeth and the guard teeth.

Remove and pulling out the battery pack from the product. Clamp the blade assembly in a vise and file the exposed cutting surface of each blade tooth with an 8 in. smooth round file, 1/4 in. or 7/32 in. in diameter. Be sure to retain the original angle of the tooth when filing.

In order to file both sides of each cutter tooth, you may need to momentarily run the trimmer until the opposing side of the cutter teeth are exposed. Do not run the trimmer while it is locked into the vise. Make sure all tools for sharpening have been removed before installing the battery. Remove the battery pack and repeat the sharpening process for the newly exposed teeth (Fig.19).

During the maintenance, users should take care of their safety. Always wear eye, hearing, hand, foot and body protection to reduce the risk of injury when operating this unit. And check the unit that it can work normally after the maintenance. If any deterioration occurs, follow the maintenance according to this instruction!

CLEANING



WARNING:

Always switch the product off, remove and pull out the battery pack from the product and let the product cool down before performing inspection, maintenance and cleaning work!

Use a small brush to clean the outside of the unit. Do not use strong detergents. Household cleaners that contain aromatic oils such as pine and lemon, and solvents such as

kerosene, can damage plastic. Wipe off any moisture with a soft cloth.

Inspect the product before and after each use for worn and damaged parts. Do not operate it if you find worn and damaged parts.



NOTE:

If the cutting blade is blocked by foreign objects during the operating, stop the product, wait for the cutting blade stops entirely, remove the foreign objects and clean the cutting blade.



WARNING:

Only perform repairs and maintenance work according to these instructions! All further works must be performed by a qualified specialist!

STORAGE

1. Clean the product as described above.
2. Store the product and its accessories in a dark, dry, frost-free, well-ventilated place.
3. Always store the product in a place that is inaccessible to children. The ideal storage temperature is between 10 °C and 30 °C.
4. We recommend using the original package for storage or covering the product with a suitable cloth or enclosure to protect it against dust.

TRANSPORT

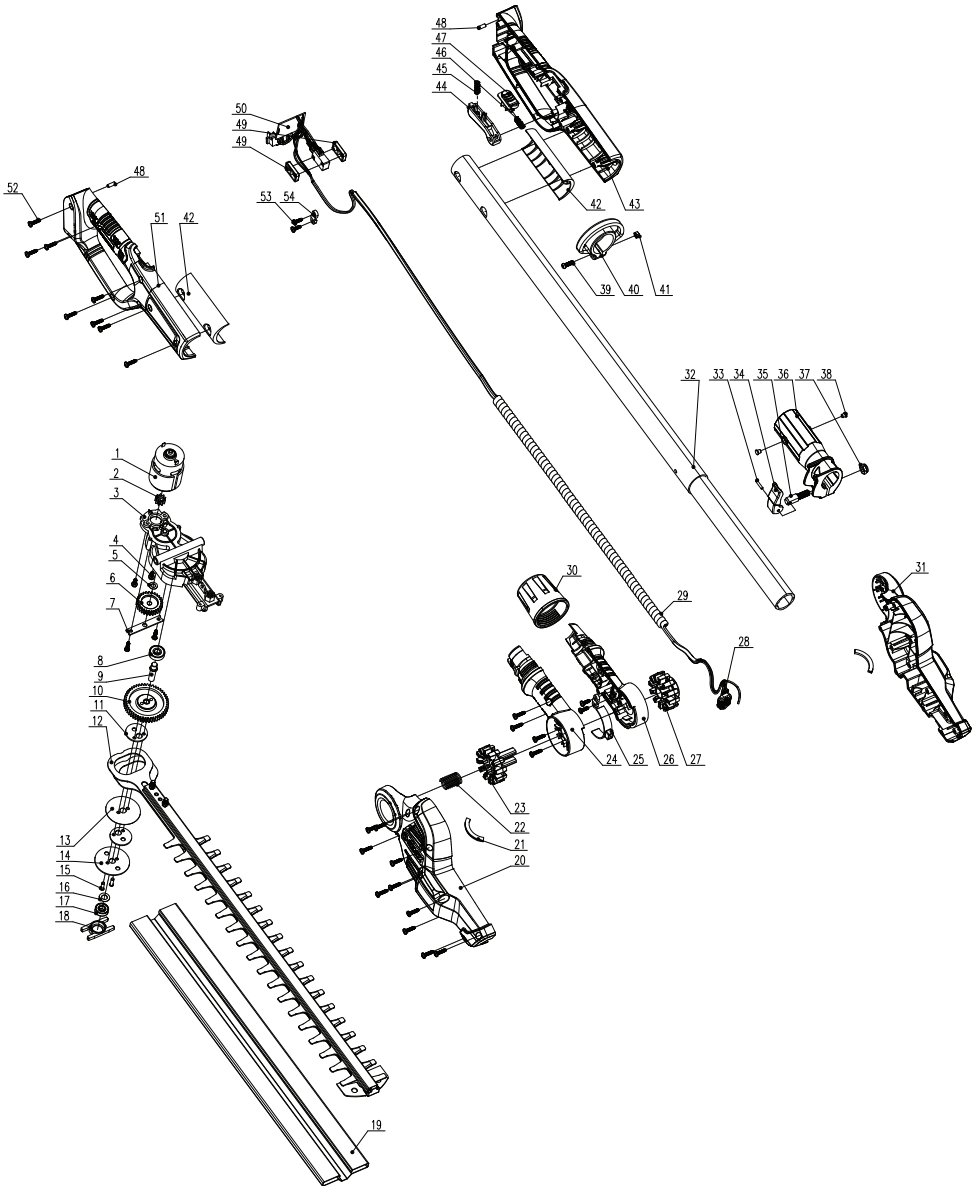
1. Clean the product as described above.
2. Always carry the product by its handle.
3. Protect the product from any heavy impact or strong vibrations which may occur during transportation in vehicles.
4. Secure the product to prevent it from slipping or falling over, damage or injury.

TROUBLESHOOTING

Suspected malfunctions are often due to causes that the users can fix themselves. Therefore, check the product using this section. In most cases the problem can be solved quickly.

PROBLEM	POSSIBLE CAUSE	SOLUTION
Product does not start	Battery pack not properly attached	Attach properly
	Battery pack capacity too low	Remove and charge battery pack
	Battery pack damaged	Check by a specialist electrician
	Switch trigger not set on ON position	Refer to chapter "SWITCHING ON AND OFF"
Product does not reach full power	Battery pack capacity too low	Charge battery pack
	Air vents are blocked	Clean the air vents
Result is unsatisfactory	Cutting attachment is worn	Replace with a new one
Vibration or noise is excessive	Bolts/nuts are loose	Tighten bolts/nuts
Product suddenly stops	Battery pack capacity too low	Remove and charge battery pack
	Battery too hot	Remove battery pack and let it cool down

PARTS



No.	Part #	Description	Qty.
1	A043027-006-00	Motor components	1
2	8123-755201-01	Gear	1
3	A043027-010-00	Gear box	1
4	8SJGN04-14	Composite recessed pan head three sets of setting screw	2
5	8202-754401-00	Flat washer	1
6	8123-753101-02	Gear	1
7	8181-753801-00	Pressure plate	1
8	8BC-220807-ST	Bearing	1
9	8085-754402-00	Spindle	1
10	8123-753801-00	Gear	1
11	8124-753801-00	Eccentric gear	2
12	A043027-002-00	Blade components	1
13	8321-531501-00	Blade plate	1
14	8325-531503-00	Pressure plate	1
15	8086-531501-00	Pin	2
16	8321-931302-00	Antifriction mat	1
17	8BC-190806-ST	Bearing	1
18	8301-534101-00	Bearing dead plate	1
19	8331-534501-00	Blade cover	1
20	A044004-003-00	Cover	1
21	8341-751502-00	Motor damping pad	2
22	8342-521702-01	Steering button spring	1
23	8136-531401-00	Passive chuck	1
24	8003-532702-01	Handle	1
25	8020-532701-00	Skateboard	1
26	8003-532701-01	Handle	1
27	8312-531402-00	Button	1
28	A044004-020-00	Inductance	1
29	A044004-014-00	Two cores spring connector	1
30	8331-532701-00	Locking sleeve	1
31	A044004-002-00	Cover	1
32	A044004-023-00	Pole components	1
33	8086-650204-00	Cylindrical pin	1
34	8044-650203-01	Push button	1
35	8206-650204-02	Adjusting bolt for locking clip	1

36	8292-650201-02	Connector	1
37	8NE-08	All mental hexage flange locking screw	1
38	8091-436101-00	Locating Pin	2
39	8SJGD05-14	Composite recessed pan head screw	1
40	8204-433601-00	Shoulder strap ring	1
41	8NA-05	Hexagon nut	1
42	a044004-006-00	Handle housing	1
43	A044004-004-00	Handle	1
44	A044004-021-00	Trigger	1
45	8342-740201-00	Switch button	1
46	8342-534101-00	Spring	1
47	A043022-007-00	Push button	1
48	B048019-034-00	Rubber cylinder	2
49	8341-531301-00	Switch pad	2
50	A044004-011-00	Electric components	1
51	A044004-005-00	Handle	1
52	8SJAB40-16	Self tapping screw	26
53	8SJAD04-12	Cross recessed pan head screw	4
54	8184-302201-00	Cable plate	2

RECYCLING AND DISPOSAL



Disposal of waste electric and electronic equipment (WEEE)

Waste electric and electronic equipment shall not be disposed of with household waste. Please recycle where facilities exist. Check with your local authority for recycling advice.



Disposal of defective or used battery pack

Discharge your battery pack by operating your tool, then remove the battery pack from the tool. Cover the battery pack connections with heavy duty adhesive tape to prevent short circuit and energy discharge.

Do not attempt to open or remove any of the components.

Batteries and battery packs shall not be disposed of with household waste. Consult your local waste authority for information regarding available recycling and/or disposal options.